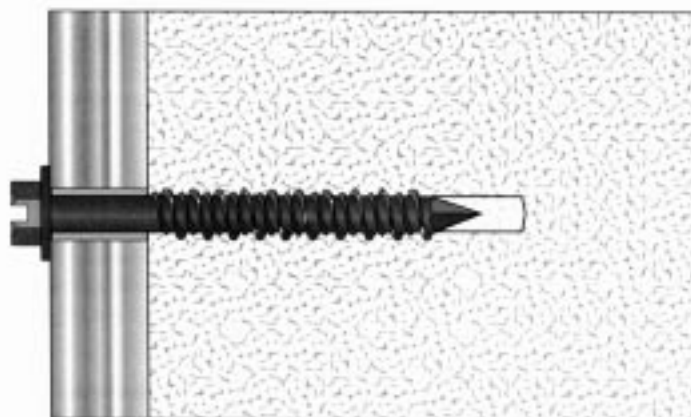


GENERAL CONSTRUCTION



TAPCON[®]

Masonry Fastening System

The original masonry anchor that cuts threads into concrete, brick and most masonry materials

APPLICATIONS

- The Tapcon[®] system comprises a range of self-tapping masonry anchors, designed for use into a wide range of concrete and masonry materials to fasten:

Ducting	Pipe Clips
Socket Boxes	Trunking
Signs	Mechanical Services
Timber Battens	Fire Protection Systems
Window and Door Frames	And many, many more

PRODUCT INFORMATION

- The original high quality all-metal masonry anchor with a unique specially hardened Hi-Lo thread design, two head styles and a range of lengths to fasten an extensive range of components to concrete, brick and most masonry materials.
- Tapcon[®] cuts its own mating thread into masonry and creates no expansion. It eliminates the need for plugs or inserts and provides complete fire protection.
- Proven high pull-out performance in a wide range of masonry materials while remaining adjustable and removable.
- Climaseal coating as standard provides long life corrosion resistance, 6 times the life of zinc.

FEATURES AND BENEFITS

- **Special Hi-Lo thread form** - cuts its own thread in concrete, brick and most masonry materials.
- **High quality all steel anchor, Climaseal[®] coated** - providing high mechanical performance combined with fire resistance, durability and high corrosion resistance.
- **Fast to install** - simply drill the correct diameter and depth of tapping hole through the fixture into suitable masonry and drive the anchor home. Tapping hole size is smaller than anchor diameter, speeding up installation and saving on 'in-place' cost.
- **No expansion** - allows anchors to be installed close to an edge or in close proximity, with no breaking or cracking of the masonry.
- **Range of styles** - countersunk or hexagon head with a choice of two diameters and a range of lengths make Tapcon suitable for a wide variety of applications.

TAPCON® - MASONRY FASTENING SYSTEM

SELECTOR GUIDE

Code Number	Description	Drill Bit	Drill Bit Code	Fixture Build-up mm	
Csk	Hex				
3F32	3H32	4.8 x 32	4.35 x 110	3D110	up to 7
4F32	4H32	6.3 x 32	5.15 x 110	4D110	
3F45	3H45	4.8 x 45	4.35 x 110	3D110	5 - 20
4F45	4H45	6.3 x 45	5.15 x 110	4D110	
3F57	3H57	4.8 x 57	4.35 x 110	3D110	17 - 32
4F57	4H57	6.3 x 57	5.15 x 110	4D110	
3F70	-	4.8 x 70	4.35 x 110	3D110	30 - 45
4F70	4H70	6.3 x 70	5.15 x 110	4D110	
3F82	-	4.8 x 82	4.35 x 140	3D140	42 - 57
4F82	4H82	6.3 x 82	5.15 x 140	4D140	
3F100	-	4.8 x 100	4.35 x 140	3D140	60 - 75
4F100	-	6.3 x 100	5.15 x 140	4D140	
4F125*	-	6.3 x 125	5.15 x 165	4D110	85 - 100
CD1000	Condrive Tool for semi-automatic installation of Tapcon anchors up to 100mm				

* Requires long condrive sleeve. Code No. CD102L

● Tapcon masonry anchors are manufactured from special high quality cold forming steel, heat treated to give hard cutting surfaces for efficient thread cutting action in a wide variety of masonry materials. The standard corrosion protection finish on Tapcon anchors is blue Climaseal, which affords up to 6 times the corrosion protection of normal zinc plating.

● The minimum embedment requirement is 25mm and the maximum embedment is 45mm. One rotary percussion drill bit is supplied with every box of 100 pieces. SDS rotary hammer drill bits are available as optional extras - see Price Guide.

● Tapcon anchors must be installed using Buildex components to ensure maximum performance.

PULL-OUT VALUES

40 NEWTON CONCRETE

Embedment depth	Pullout kN 3F/H Tapcon	Pullout kN 4F/H Tapcon
25	2.60	6.00
30	3.50	7.40
35	4.50	9.30
40	5.60	11.80

COMMON BRICK

Embedment depth	Pullout kN 3F/H Tapcon	Pullout kN 4F/H Tapcon
25	1.30	2.00
30	1.60	2.70
35	2.50	3.20
40	3.30	4.10

TYPICAL DENSE CONCRETE BLOCK

Embedment depth	Pullout kN 3F/H Tapcon	Pullout kN 4F/H Tapcon
25	1.50	2.70
30	1.80	3.30
35	2.20	4.20
40	2.70	4.90

TYPICAL HOLLOW CONCRETE BEAM

Embedment depth	Pullout kN 3F/H Tapcon	Pullout kN 4F/H Tapcon
27	5.20	9.60
32	5.80	10.80

TAPCON BASIC STRENGTH FIGURES

	3F/H dia.	4F/H dia.
Ultimate tensile strength kN	8.33	17.37
Shear strength kN	4.69	9.41

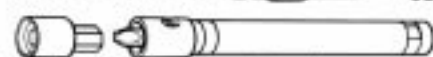
Rigid quality control in all phases of production ensures consistent and reliable performance. Tapcon anchors have been laboratory tested on an Avery Denison testing machine in concrete product manufacturers' standard materials. Appropriate curing times were allowed for the masonry test blocks to ensure reliable results. Test results should be taken only as a guide for design purposes.

Note: Tapcon®, Condrive®, Climaseal® and Building Ideas that Work™ are registered trademarks of ITW Buildex and Illinois Tool Works Inc.

INSTALLATION GUIDELINES - TAPCON ANCHOR RANGE



1. Drill tapping hole through fixture into suitable masonry
2. Snap on drive sleeve
3. Drive anchor



Hex & Phillips Drive Units

Drive sleeve

Note: It is important not to overdrive Tapcon anchors. Condrive tools automatically disengage from the head of the anchor when it is installed in position. Use of the Condrive tool prevents overdriving.

ITW Buildex

37 Suttons Business Park
Reading
Berkshire, RG6 1HF

Tel: 0118 926 1044 Fax: 0118 926 8568

All measurements are in millimetres unless otherwise stated