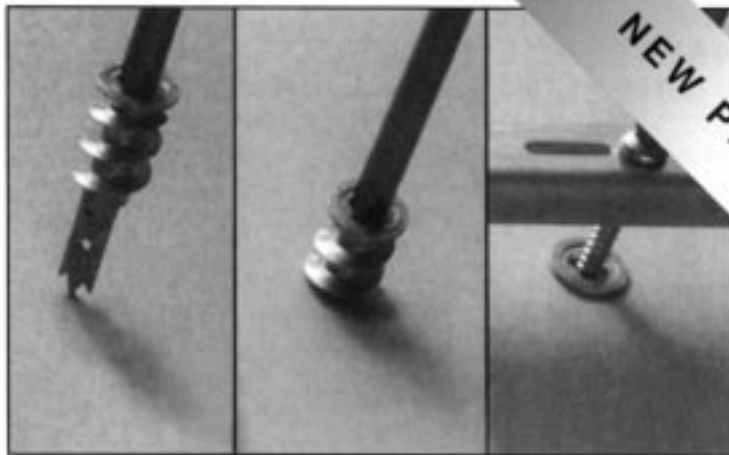


E-Z Anchor

For fixing to plasterboard

General Construction



NEW PRODUCT

PRODUCT INFORMATION

The original E-Z Mini anchor system is a one-piece self-drilling anchor designed for fastening light/medium weight items to plasterboard.

TYPICAL APPLICATIONS



Construction
Electrical clips and fixtures
Control panels
Telecommunications equipment
HVAC fixtures
Plumbing fixtures

General
Signs
Bulletin boards
Smoke detectors
Shelf brackets
Office equipment
Security fixings

Household
Kitchen and bathroom accessories
Bath fixtures
Wardrobes
Decorative wall hangings
Curtain rods
Wall brackets
Pictures
Mirrors

and many, many more...

FEATURES AND BENEFITS

- Small diameter bugle head style seats flush behind brackets, fixtures and other various components.
- Versatile internal core design allows use of No.6 and No.8 sheet metal or drywall self-tapping screws.
- Reduced size can be installed effortlessly without causing the surrounding gypsum material to bulge around the head.
- No hole preparation necessary - pre-drills own small precise hole in plasterboard.
- Tough zinc alloy material allows use in all drywall conditions.
- Deep thread design cuts easily and holds up to 220 Newtons (50lbs).
- Installs quickly and easily with No.2 or No.3 Phillips screwdriver or power-driver.

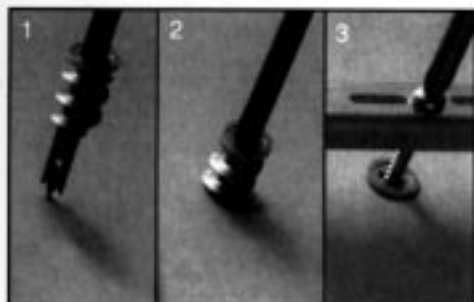
Free screws with E-Z Mini and E-Z Lite

ITW Buildex



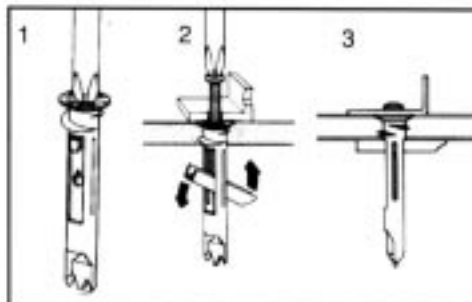
"Building ideas that work"

INSTALLATION GUIDELINES



E-Z Mini Anchor, E-Z Anchor Lite

1. Place No.2 Phillips screwdriver into recess of E-Z Anchor.
2. Press into drywall whilst turning the anchor clockwise until it is seated flush with the wall.
3. Place fixture in position over installed E-Z Anchor. Insert screw with screwdriver and tighten to suit.



Heavy Duty E-Z Toggle

1. Place No.2 Phillips screwdriver into recess of E-Z Toggle. Press into drywall while turning the anchor clockwise until it is seated flush with wall and arrows on head are parallel to stud.
2. Place fixture in position over installed E-Z Toggle. Insert screw and push through E-Z Toggle to engage clamp.
3. Continue turning screw until tight. The clamp will move back against the drywall as the screw is turned.

SELECTOR GUIDE

	Anchor Material	Maximum Fixture Thickness	Part Number	Quantity
E-Z Mini Anchor 9.5 32	Zinc Alloy	19mm	5033902	100 anchors complete with 100 free screws to suit
E-Z Anchor Lite 9.5 33	White Nylon	19mm	5006902	100 anchors complete with 100 free screws to suit
E-Z Toggle 14 63.5	Zinc Alloy	12mm	5014901	50 anchors complete with 50 free screws to suit

SMS = sheet metal screw

PERFORMANCE DATA

		Pullout (Ultimate average Newtons)			Shear (Ultimate average Newtons)		
		Plasterboard thickness			Plasterboard thickness		
		9.5	12.5	16	9.5	12.5	16
E-Z Mini Anchor	Zinc Alloy	130	180	220	400	490	620
E-Z Anchor Lite	Nylon	110	130	180	360	400	530
E-Z Toggle	Zinc Alloy	310	380	670	1000	890	1300

E-Z Mini Anchor™, E-Z Anchor Lite™ and E-Z Toggle™ and Building ideas that work™ are trademarks of ITW Buildex and Illinois Tool Works Inc.

ITW Buildex

37 Suttons Business Park Reading, Berkshire, RG6 1HF
Tel: 0118 9261044 Fax: 01734 268568